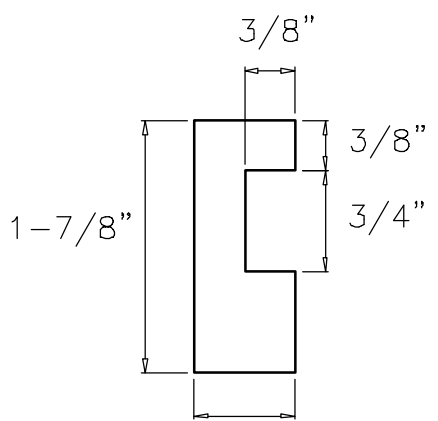
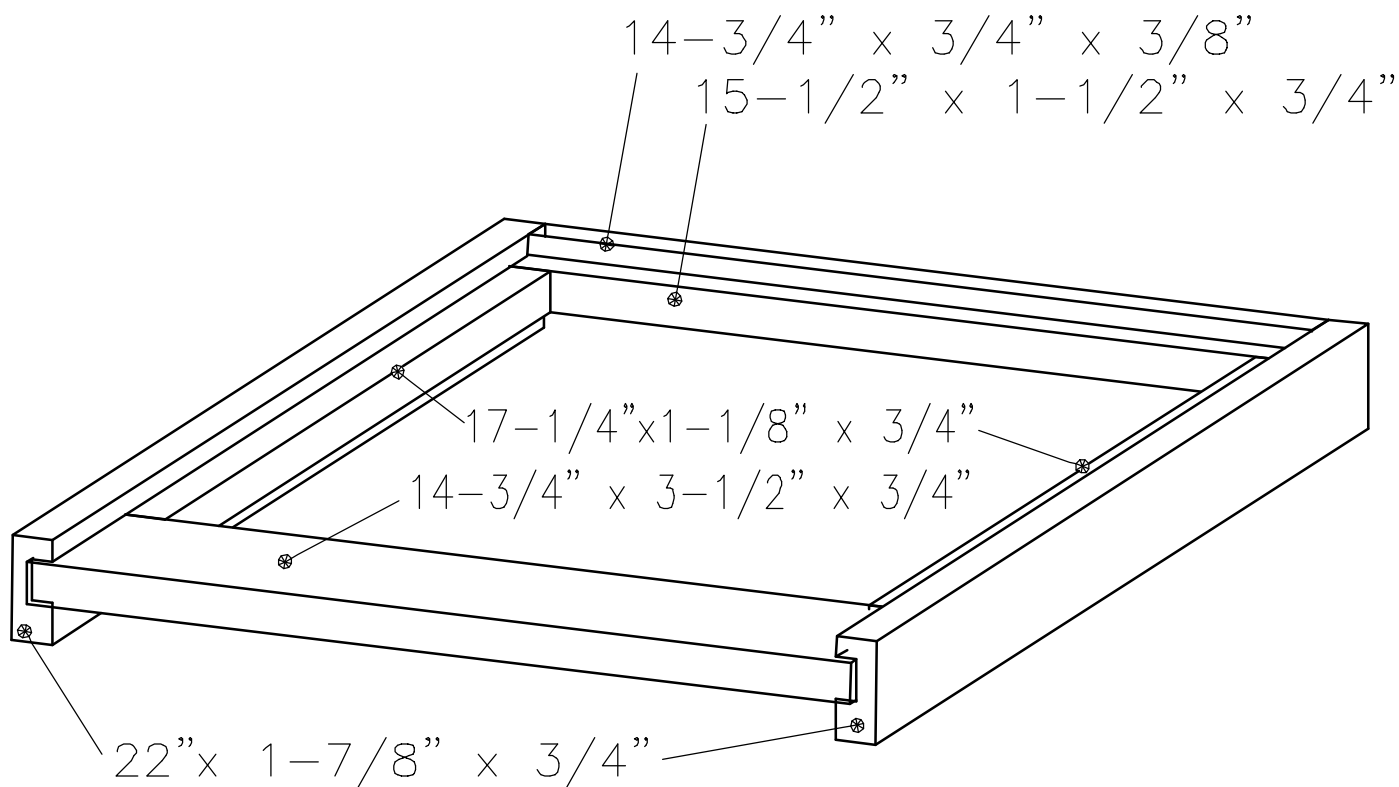
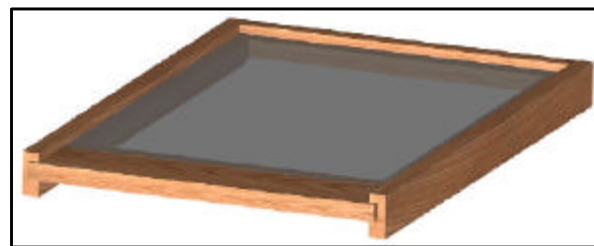


Screened Bottom Board #1



Side Rail Detail

Notes:

1. Use a $14-3/4'' \times 18-3/4''$ piece of #8 galvanized hardware cloth. The hardware cloth is affixed using staples over the opening after the wooden pieces are assembled.
2. The $17-1/4'' \times 1-1/8'' \times 3/4''$ side pieces may be substituted with wider pieces allowing a narrower piece of hardware cloth to be used.
3. For mite detection simply slide a piece of cardboard/plastic/thin plywood under the unit between the side rails.