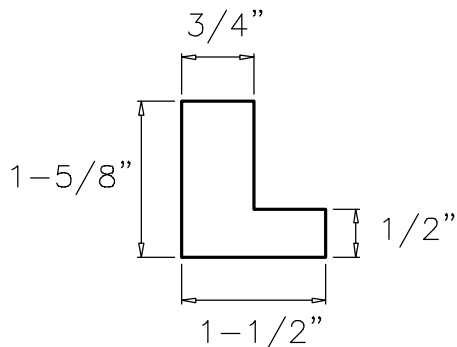
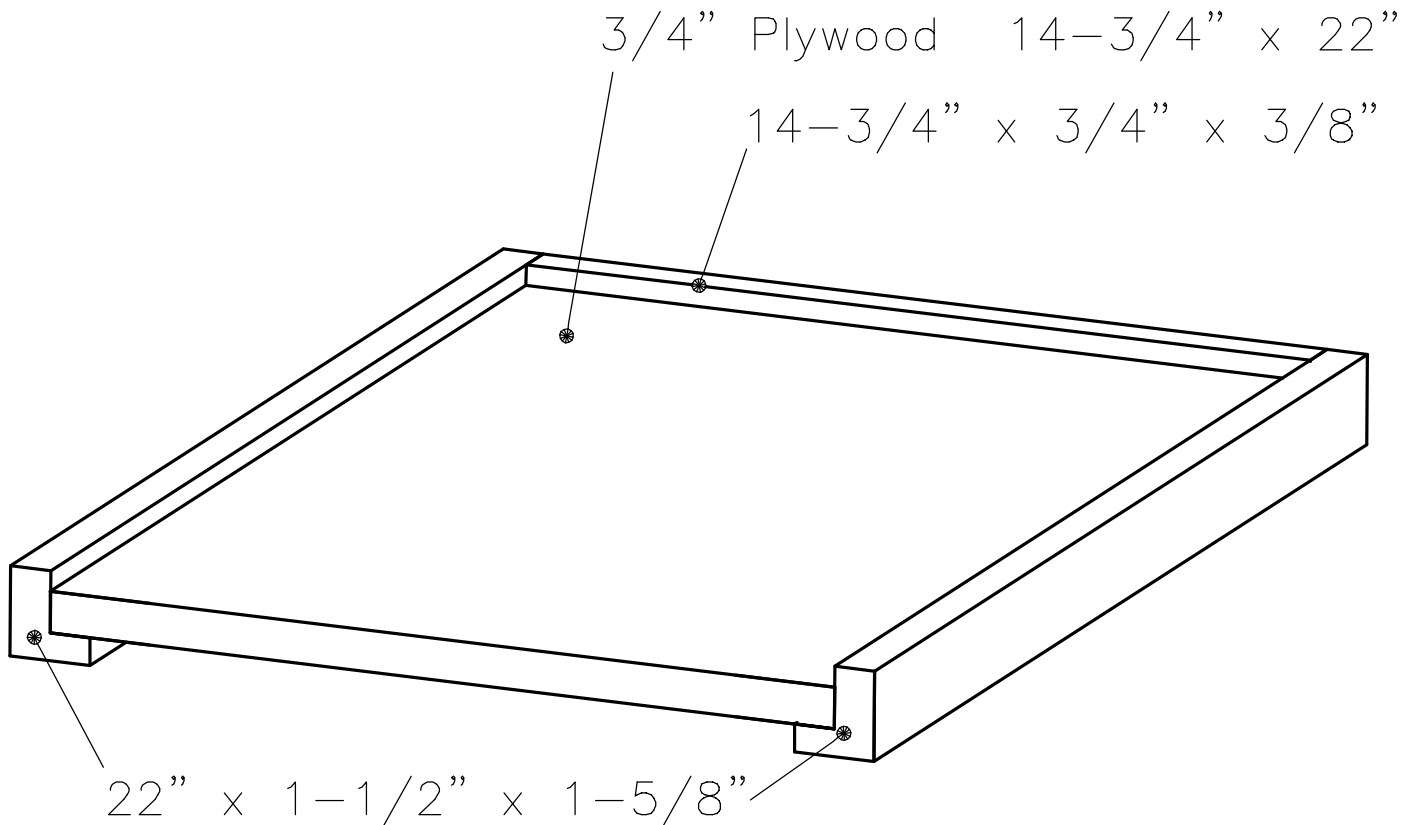


# Solid Bottom Board



Side Rail Detail

## Notes:

1. The side rails can be made by cutting a 2x4 in half.
2. 5/8" or 1/2" plywood can be used in place of the 3/8" plywood. The 1/2" dimension on the side rail detail should be adjusted to 5/8" or 3/4" respectively when using the thinner plywood to maintain a 3/8" entrance.