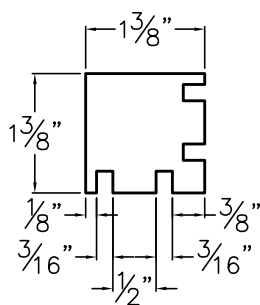
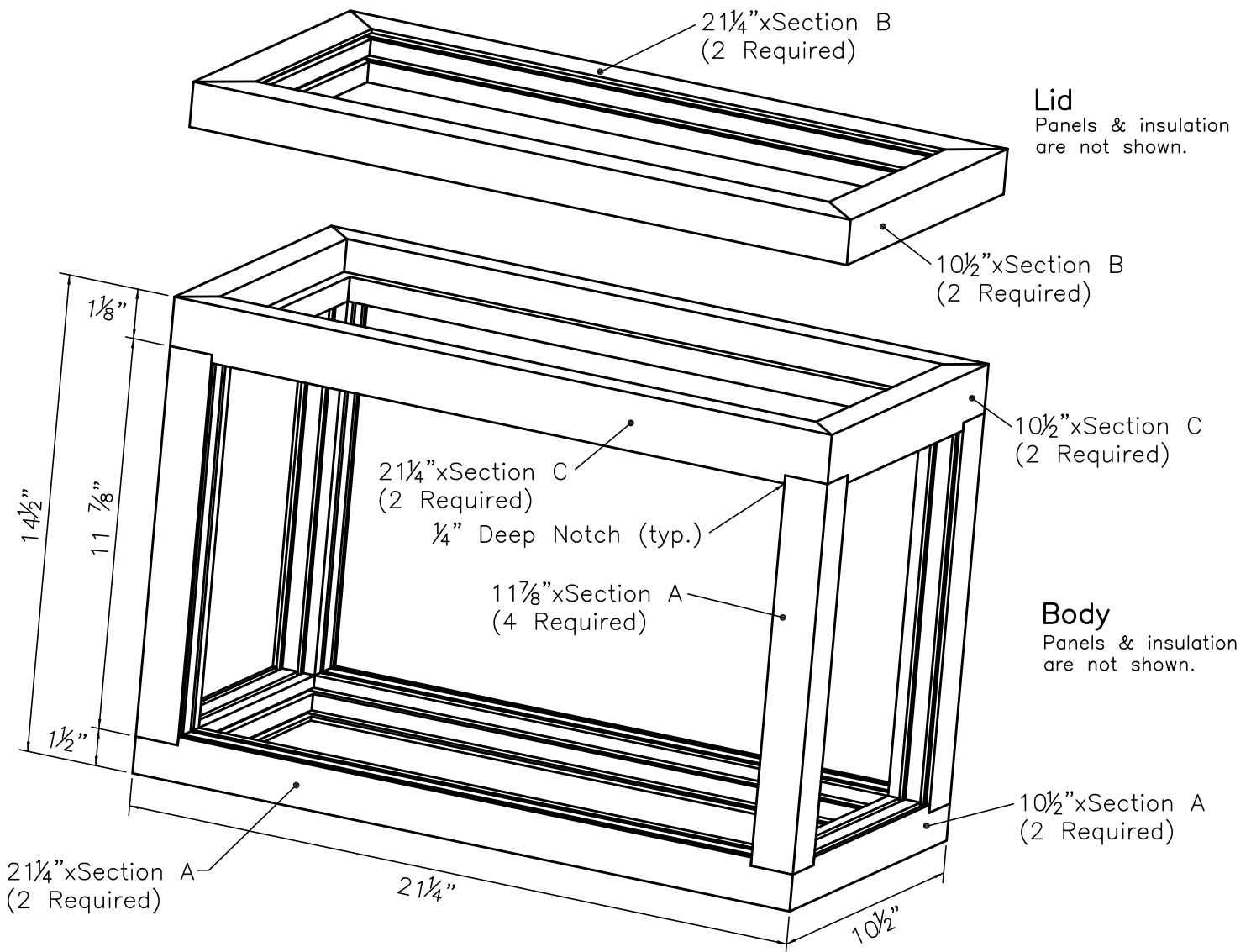
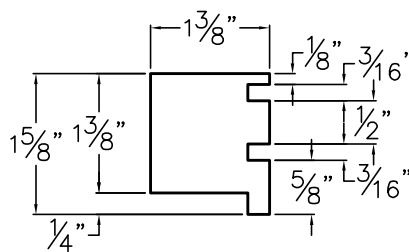


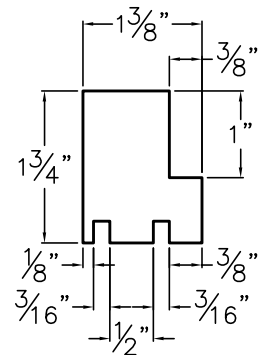
5 Frame Incubator



Cross Section A



Cross Section B



Cross Section C

5 Frame Incubator

Notes:

1. The stiff aluminum sheet keeps the frames from being heated directly and combined with the reflector distributes the heat fairly evenly across the bottom of the incubator. Queen cells should not make direct contact with the aluminum.
2. A digital temperature controller such as Ranco ETC111000 or a less expensive disk type thermostat such as that used in poultry incubators can be used. The controller used must be able to switch a minimum of 120 Volts at 1 Amp. For wiring follow the instructions and precautions that come with the controller. The temperature sensor should be located near the top of the incubator.
3. Two hinges should be used to attach the lid.
4. Due to the high humidity present inside the incubator when in use a finish such as polyurethane should be used to protect the wood.
5. Handles can be added to both sides of the incubator to make it easier to carry.

Panels:

$\frac{3}{8}$ " (5mm) thick luan or hardwood plywood material can be used for the panels with $\frac{1}{2}$ " thick insulation sandwiched in between.

Panel Sizes:

Front & Back	panel: $19\frac{1}{8}$ "x $11\frac{3}{4}$ " (4 req.) insulation: $18\frac{5}{8}$ "x $11\frac{1}{4}$ " (2 req.)
Sides	panel: $8\frac{1}{8}$ "x $11\frac{3}{4}$ " (4 req.) insulation: $7\frac{5}{8}$ "x $11\frac{1}{4}$ " (2 req.)
Top & Bottom	panel: $19\frac{1}{8}$ "x $8\frac{1}{8}$ " (4 req.) insulation: $18\frac{5}{8}$ "x $7\frac{5}{8}$ " (2 req.)

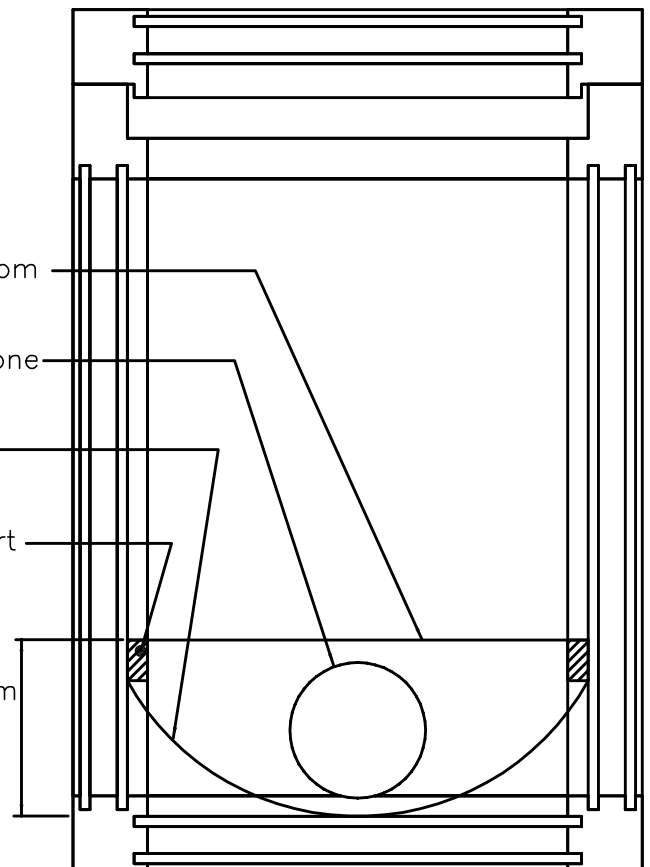
Stiff Aluminum Sheet (Bottom is black or a dark color.)

40Watt Bulb (2 Required, one mounted on each side)

Reflector made from shiny aluminum (flashing).

$\frac{3}{4}$ "x $\frac{3}{8}$ "x19" Block to support aluminum sheet.

$\frac{3}{4}$ " From Inside Bottom



Cross Section Side View